



4B BRAIME ELEVATOR COMPONENTS LTD.

England, LS10 1JZ
Telephone: (0113) 246 1800
Web: www.go4b.com
e-mail: 4b-uk@go4b.c0m



SETEM

9, route de Corbie
80800 LAMOTTE WARFUSEE
Tél : (33) 03 22 42 32 26
Web: www.go4b.com
e-mail: 4b-france@go4b.c0m



4B BRAIME ELEVATOR COMPONENTS LTD.

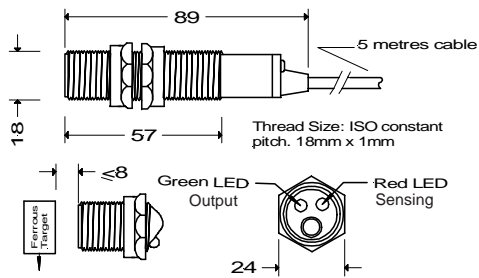
England, LS10 1JZ
Telephone: (0113) 246 1800
Web: www.go4b.com
e-mail: 4b-uk@go4b.c0m



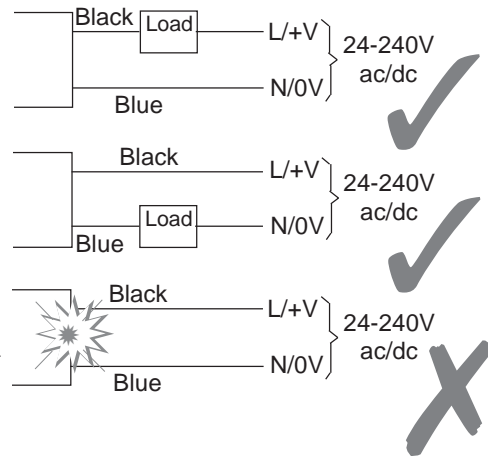
9, route de Corbie
80800 LAMOTTE WARFUSEE
Tél : (33) 03 22 42 32 26
Web: www.go4b.com
e-mail: 4b-france@go4b.c0m

ATEX Approved Stopped Motion Monitor Type: **M1001V10A**

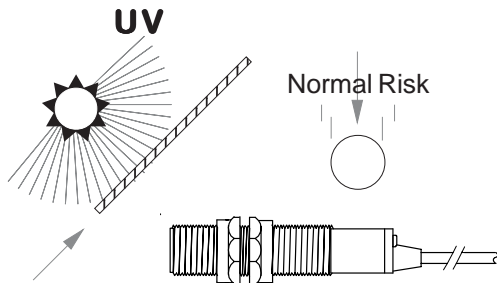
Dimensions - mm



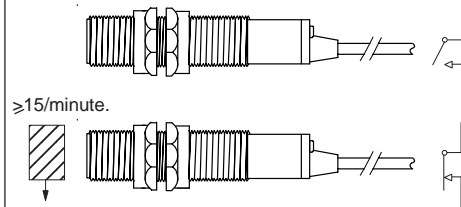
Connections



Protection



Output Mode



Approval



Approval No:
Baseefa03ATEX0593X

Category:
Ex II 1D T100°C Tamb -15°C to +50°C IP65

Specification

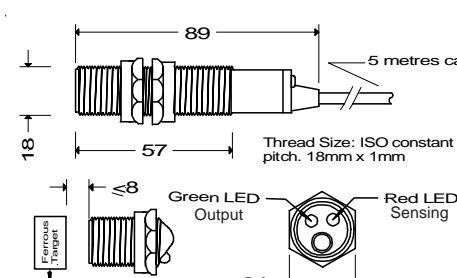
Supply V 24-240V ac/dc.
I. min ≤ 1 mA.
V. drop 5V max.
Output Rating ... 150 mA max.
Max. Speed 100 Hz.

->M100ATEXMAN 646-045(B)

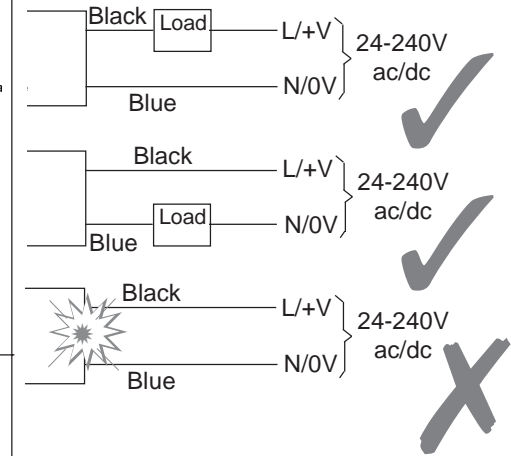
Note! If long cable runs are to be used, the wiring should **not** be positioned adjacent to cables carrying high voltage or current.

ATEX Approved Stopped Motion Monitor Type: **M1001V10A**

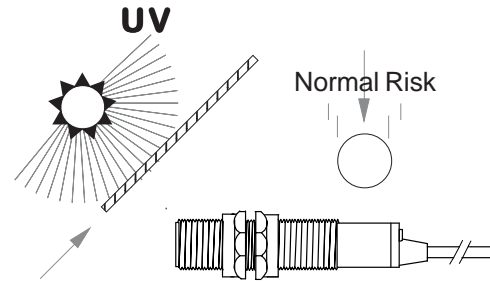
Dimensions - mm



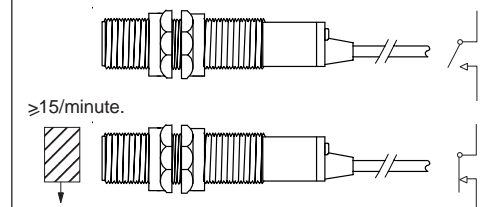
Connections



Protection



Output Mode



Approval



Approval No:
Baseefa03ATEX0593X

Category:
Ex II 1D T100°C Tamb -15°C to +50°C IP65

Specification

Supply V 24-240V ac/dc.
I. min ≤ 1 mA.
V. drop 5V max.
Output Rating ... 150 mA max.
Max. Speed 100 Hz.

->M100ATEXMAN 646-045(B)

Note! If long cable runs are to be used, the wiring should **not** be positioned adjacent to cables carrying high voltage or current.

**DECLARATION OF CONFORMITY****Equipment Description: 18mm Sensors - M1001V10A**

This equipment has been manufactured to conform to the following applicable EU Directives and International Schemes, in accordance with all the required, relevant standards:-

LOW VOLTAGE DIRECTIVE: 2006/95/EC

BS EN61010-1: 2010 Safety requirements for electrical equipment
 BS EN60332-1: 2004 Single cable flame propagation test

EMC DIRECTIVE 2004/108/EC

BS EN61000-6-3 : 2007 + A1: 2011 Emission Light Standard
 BS EN61000-6-1 : 2007 Immunity Light Industrial

ATEX DIRECTIVE 94/9/EC

CERTIFICATE No. : Baseefa03ATEX0593X
 CLASSIFICATION : Ex II 1D T100°C IP65 Tamb -15°C to 50°C
 NOTIFIED BODY: No. 1180 Baseefa
 ADDRESS : Rockhead Business Park, Staden Lane, Buxton, Derbyshire, SK17 9RZ

EN50281-1-1+amd.1 :1999 Electrical apparatus protected by enclosure

RoHS DIRECTIVE: No required or relevant standards

Each unit has a traceable number and has been designed, manufactured and tested in accordance with the following:-

1. The above equipment and components have been built and assembled in accordance with your order specification and perform to your order requirement.
2. A functional test has been conducted on each unit.
3. A physical inspection has been conducted on each unit.
4. Design, manufacture and test have been carried out in accordance with our quality procedure. Drawings, software, material lists and data sheets are retained at our Company address (shown on this manual).

Special Conditions for Safe Use

1. These sensors are not suitable for mounting where they will be exposed to direct sunlight unless fitted with an auxiliary metal shield completely protecting the plastic enclosure from UV exposure.

SIGNED:

DATE: 14th February 2011

NAME: R. ASHBY

POSITION: Chief Engineer

**DECLARATION OF CONFORMITY****Equipment Description: 18mm Sensors - M1001V10A**

This equipment has been manufactured to conform to the following applicable EU Directives and International Schemes, in accordance with all the required, relevant standards:-

LOW VOLTAGE DIRECTIVE: 2006/95/EC

BS EN61010-1: 2010 Safety requirements for electrical equipment
 BS EN60332-1: 2004 Single cable flame propagation test

EMC DIRECTIVE 2004/108/EC

BS EN61000-6-3 : 2007 + A1: 2011 Emission Light Standard
 BS EN61000-6-1 : 2007 Immunity Light Industrial

ATEX DIRECTIVE 94/9/EC

CERTIFICATE No. : Baseefa03ATEX0593X
 CLASSIFICATION : Ex II 1D T100°C IP65 Tamb -15°C to 50°C
 NOTIFIED BODY: No. 1180 Baseefa
 ADDRESS : Rockhead Business Park, Staden Lane, Buxton, Derbyshire, SK17 9RZ

EN50281-1-1+amd.1 :1999 Electrical apparatus protected by enclosure

RoHS DIRECTIVE: No required or relevant standards

Each unit has a traceable number and has been designed, manufactured and tested in accordance with the following:-

1. The above equipment and components have been built and assembled in accordance with your order specification and perform to your order requirement.
2. A functional test has been conducted on each unit.
3. A physical inspection has been conducted on each unit.
4. Design, manufacture and test have been carried out in accordance with our quality procedure. Drawings, software, material lists and data sheets are retained at our Company address (shown on this manual).

Special Conditions for Safe Use

1. These sensors are not suitable for mounting where they will be exposed to direct sunlight unless fitted with an auxiliary metal shield completely protecting the plastic enclosure from UV exposure.

SIGNED:

DATE: 14th February 2011

NAME: R. ASHBY

POSITION: Chief Engineer