

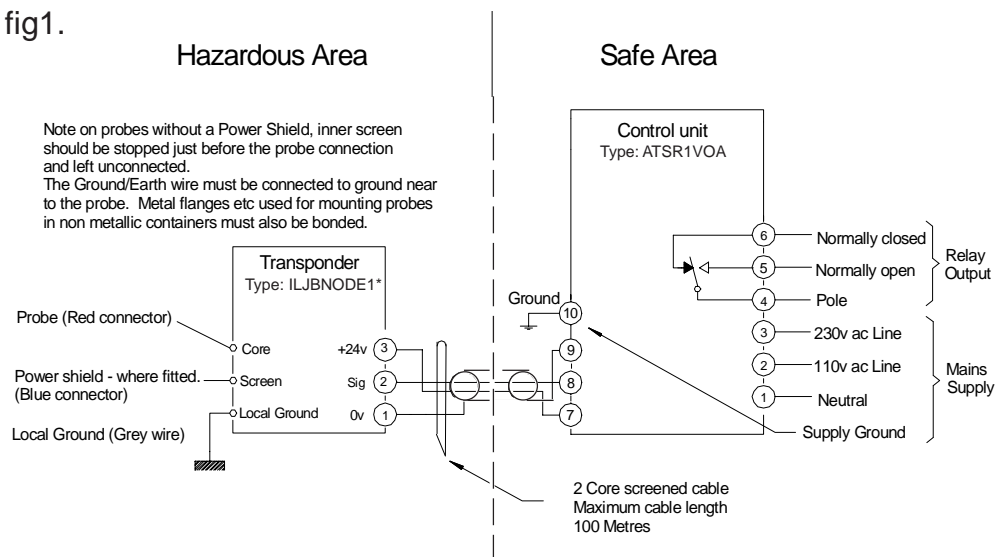
SPECIAL CONDITIONS FOR SAFE USE

- 1) The ILJBNODE1* tubular enclosure is suitable for use only where there is a low risk of impact, unless fitted into a stainless or plated steel 'L' shaped bracket that is a maximum of 1mm thick and 50mm wide.
- 2) The ILJBNODE1* tubular enclosure SHALL be protected from UV exposure.
- 3) The end user MUST ensure that permanently wired and suitably clamped cable is used at ALL times.
- 4) ALL Pflitsch glands and CEAG M16 glands are ONLY suitable for low risk.
- 5) The ILJBNODE1* tubular enclosure SHALL NOT be used under dust layers exceeding 50mm.
- 6) Cable length from ILJBNODE1* controller SHALL NOT exceed 100m. The cable may be any suitable 2 core screened cable. No special installation conditions apply.
- 7) Cable length from the ILJBNODE1* enclosure to the remote probe SHALL NOT exceed 0.5m. The cables may be any suitable single core cable for earthing and any single core screened cable for probe connection. No special installation conditions apply.

**=Variation code

Connections

fig1.



Installation.

Install the ILJBNODE1* controller within a suitable enclosure or control panel. Fit the transponder node ILJBNODE1* within 0.5 metres of the probe (where used).

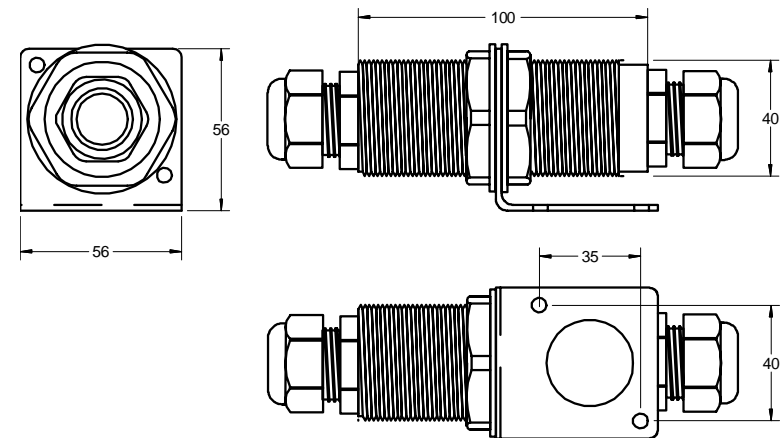
Connections between the control unit & transponder node ILJBNODE1* must be made in 2 core screened cable up to 100 metres long.

Transponder node ILJBNODE1* is supplied with 500 mm of high temperature cable for connecting to the probe.

This must not be extended. (see fig1).

Dimensions

fig 2.



*=Variation code

SPECIFICATION	
<i>Transponder ILJBNODE1*</i>	Baseefa05ATEX0120X 1W 27V Ⓔ II 1D Ex tD A20 (Ex iaD) 20 T125°C. Tamb -20°C to +50°C
Protection:	IP66.
Operating Temperature:	-15°C to +50°C
Power Supply:	Derived from ATSR1V0A
Cable Glands:	Cable glands supplied for connections to probe and ATSR1V0A.
Connections:	Terminals provided for connection of two core screened cable to ATSR1V0A remote control unit. Max 100 metres. 0.5 metre high temperature screened cable prefitted for connection to probe. (Must not be extended).

Refer to overall system manual (ATSR1) 642-049 - *available on request* - for full specification and installation details.

Guarantee

The equipment is covered by a 12 months guarantee from the date of shipment. Any faults arising due to faulty materials or workmanship, within the guarantee period, will be corrected free of charge providing the equipment is returned to us carriage paid.

Certificate of Conformity

The equipment covered by these instructions has been manufactured and tested in accordance with our quality assurance procedures and conforms fully with our published specifications.

Health and Safety

Provided that the equipment covered by these instructions is installed and operated as directed, it presents no hazard and conforms fully to health and safety regulations.



>:ILJBNODE1-man M2488A 642-048



Hunslet Road, Leeds. LS10 1JZ GB
 Tel: +44 (0) 113 245 7491
 Fax: +44 (0) 113 243 5021
 web: www.go4b.com



9, route de Corbie
 80800 LAMOTTE WARFUSEE
 Tél: (33) 03 22 42 32 26
 Fax: (33) 03 22 42 37 33
 web: www.go4b.com



BRAIME ELEVATOR COMPONENTS LTD.



ILJBNODE1*

Transponder Node - (*=Variation Code)
Manual No: M2485

OPERATING INSTRUCTIONS