



INDUCTIVE SPEED SENSOR

Approved for explosive atmospheres:
ATEX and IECEx zones 20, 21, and 22 for dust;
ATEX and IECEx zone 0, 1, and 2 for gas

Application:

- Detects 20% underspeed condition
• Used for detecting dangerous slow downs and underspeeds on conveyors, bucket elevators, and many other types of machines

Features:

- 24-240 VAC/VDC multi voltage power supply
• 2 and 5 wire versions available
• IP 66 rated
• M30 x 1.5 ISO threaded polycarbonate body
• Blue and green LED's showing output state
• 8mm detection range
• Easy calibration with a magnet



Part numbers:

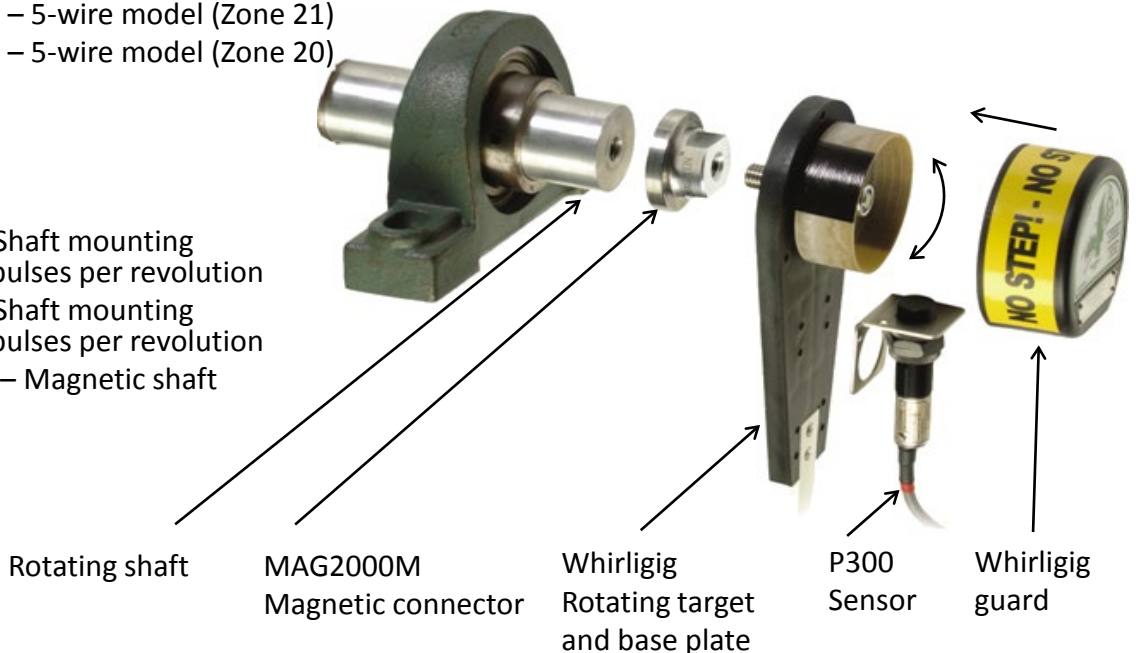
- M3003V10AI – 2-wire model
• M3008V10AI – 5-wire model (Zone 21)
• M3007V10AI – 5-wire model (Zone 20)

M300 Speed Sensor

Shown with optional Whirligig and Mag-Con

Accessories:

- WG4A-BR – Shaft mounting assembly, 4 pulses per revolution
• WG2A-BR – Shaft mounting assembly, 2 pulses per revolution
• MAG2000M – Magnetic shaft connector



Please refer to instruction manual for correct installation. Information subject to change or correction. Nov 2018

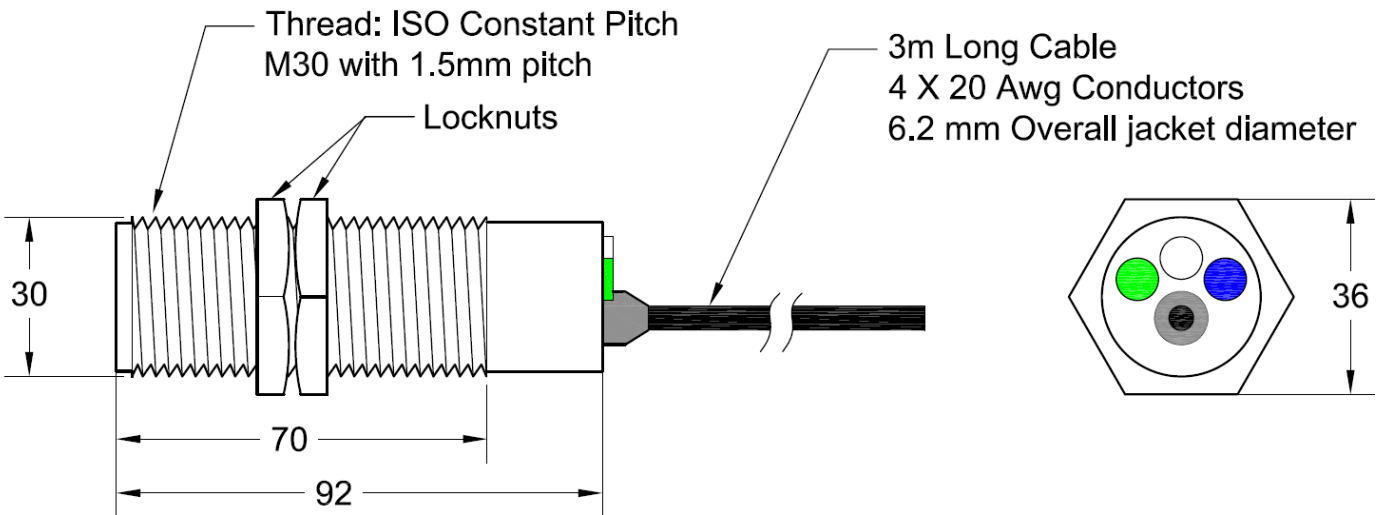
Detailed specification, wiring diagrams and installation/operating instructions available upon request.



TECHNICAL SPECIFICATIONS

| Model | M3003V10AI | M3008V10AI | M3007V10AI |
|-----------------------------|--------------------------------|--------------------------------|--------------------------------|
| Power supply | 24-240 VAC/VDC | 24-240 VAC/VDC | 24-240 VAC/VDC |
| Output | FET | SPCO relay | SPCO relay |
| Number of wires | 2 | 5 | 5 |
| Detection range | 8 mm | 8 mm | 8 mm |
| Speed Range | 10 – 3,600 pulses per minute | 10 – 3,600 pulses per minute | 10 – 3,600 pulses per minute |
| Start-Up Delay | 0 to 30 seconds | 0 to 30 seconds | 0 to 30 seconds |
| Switching Capacity | 100mA | 240VDC/VAC; 3A | 60VDC/VAC; 3A |
| Operating temperature range | -15°C to +50°C | -15°C to +50°C | -15°C to +50°C |
| Certificates and approvals | ATEX and IECEx Zone 20, Zone 0 | ATEX and IECEx Zone 21, Zone 1 | ATEX and IECEx Zone 20, Zone 0 |
| Protection | IP66 | IP66 | IP66 |

DIMENSIONS



Note: All dimensions are given in mm.

Please refer to instruction manual for correct installation.
Information subject to change or correction. Nov 2018