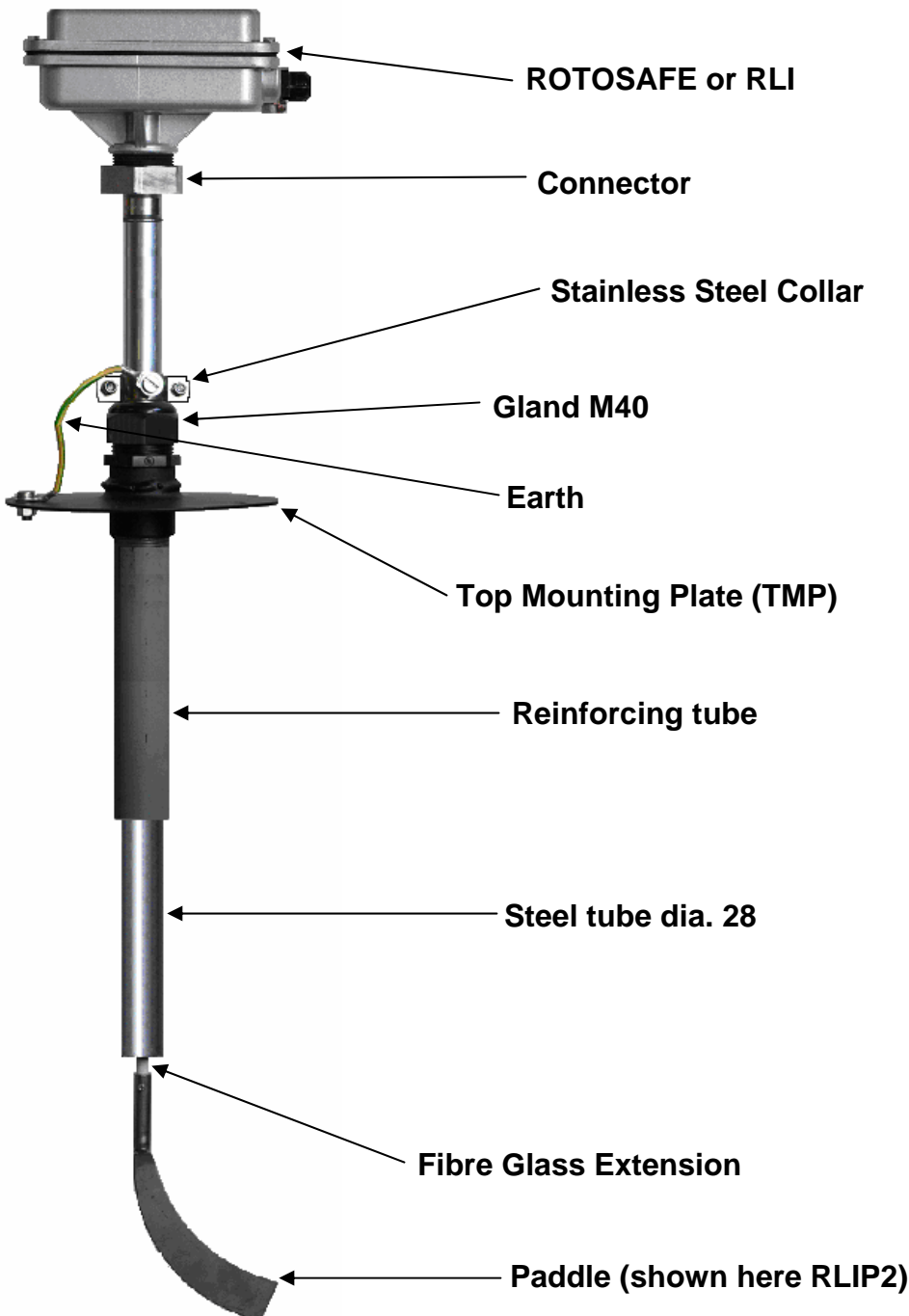


ADJUSTABLE LEVEL KIT - for RLI & ROTOSAFE

Adjustable from 0,65 to 2,10 meters



* Delivered without RLI or ROTOSAFE & without tube

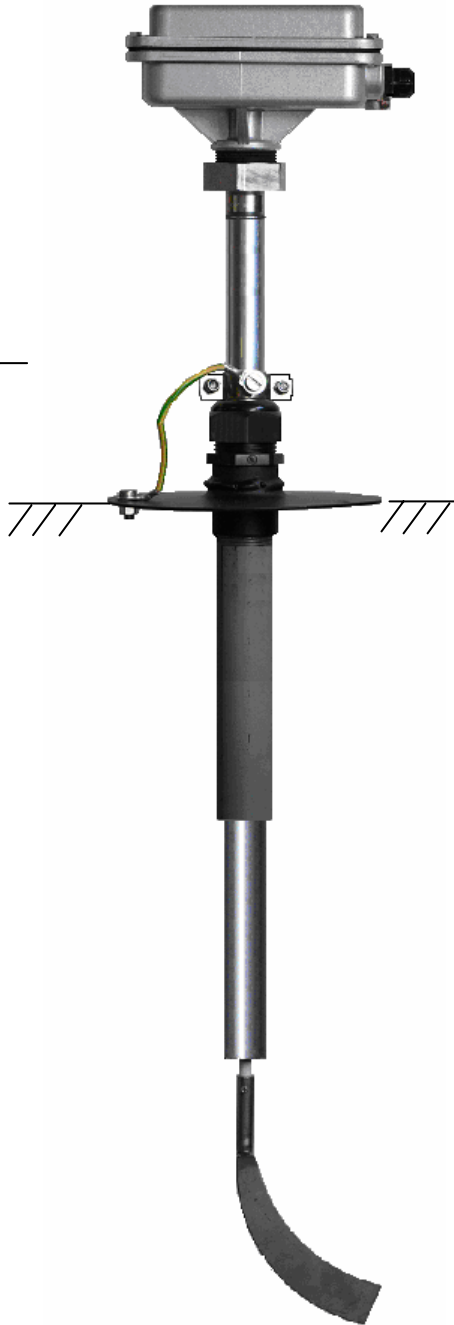
Detailed specification, wiring diagrams and installation/operating instructions available immediately upon request.

Please refer to instruction manual for correct installation .
Information subject to change or correction. July 2007.

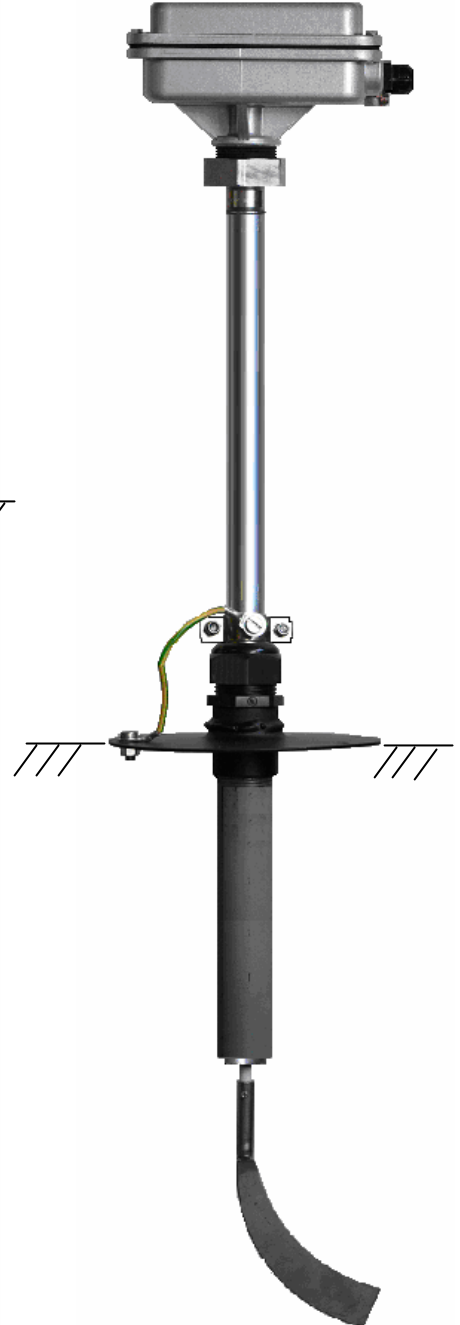
Low Level



Medium Level



High Level



Please refer to instruction manual for correct installation .
Information subject to change or correction. July 2007.