



CAPACITIVE BLOCKED CHUTE / LEVEL SENSOR

Approved for explosive atmospheres:

ATEX, IECEx, EAC Ex and CCCEX

Zones 20, 21 & 22 for dust

Zones 0, 1 & 2 for gas

Application:

- Detects blocked chute condition
- Can detect high and low levels of material
- Capacitive sensor with smart calibration to ignore dust build-up

Features:

- 24-240 VAC/VDC multi voltage power supply
- 2 and 4 wire versions available
- IP 66 rated
- M30 x 1.5 ISO threaded polycarbonate body
- Blue and green LED's showing output state
- 25mm detection range
- Easy calibration with a magnets
- Configurable polarity selection with a magnet

Part numbers:

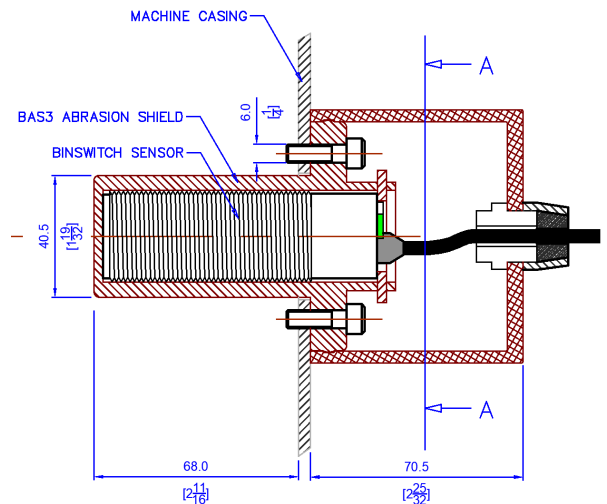
- BSE12V10AI – 2-wire model
- BSE15V10AI – 5-wire model

Accessories:

- BAS3 – Abrasion shield and mounting bracket



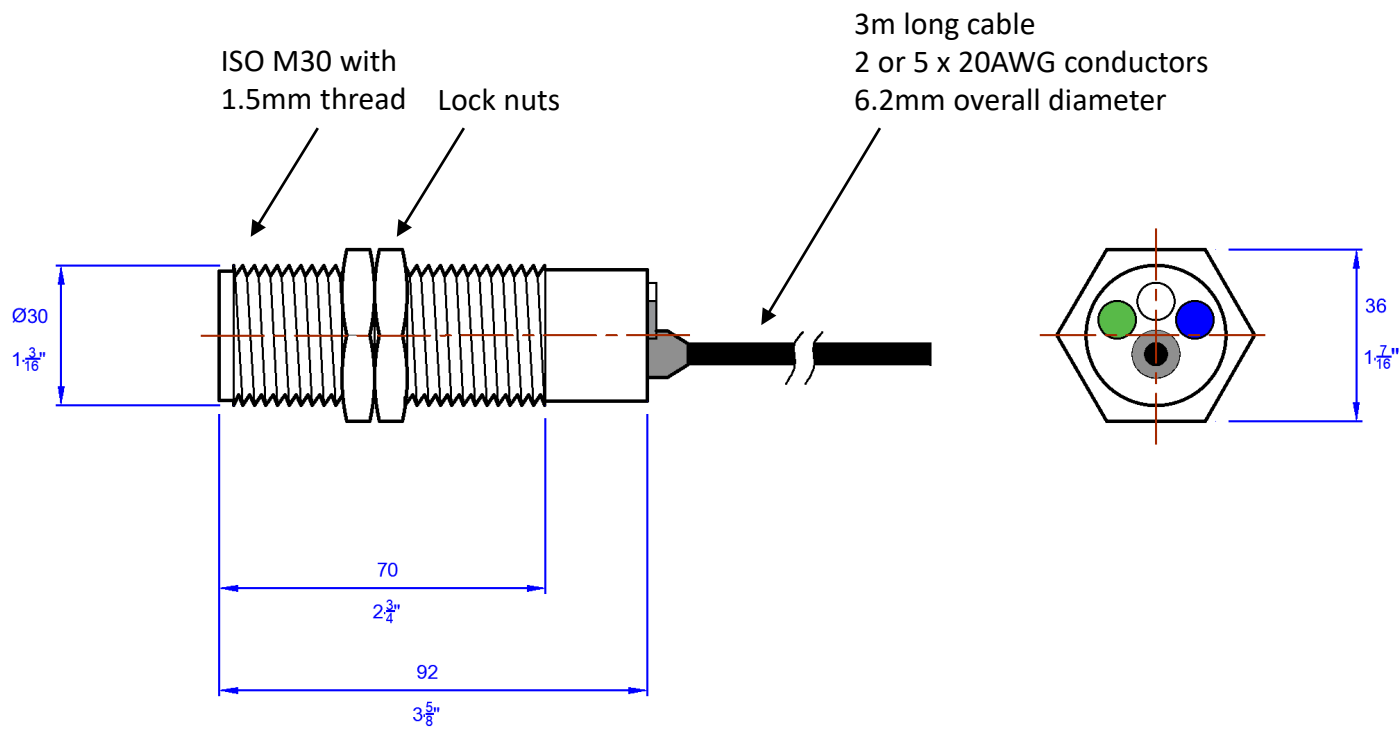
BinSwitch Elite sensor mounted with the BAS3 abrasion shield





TECHNICAL SPECIFICATIONS

Model	BSE12V10AI	BSE15V10AI	
Power supply	24-240 VAC/VDC	24-240 VAC/VDC	
Output	FET	SPCO relay	
Number of wires	2	5	
Detection range	25 mm	25 mm	
Switching Voltage	24-240 VAC/VDC	60VDC/VAC	
Switching Capacity	100mA	3A	
Detection Polarity	Configurable	Configurable	
Operating temperature range	-15°C to +50°C	-15°C to +50°C	
Certificates and approvals	Ex II 1G Ex ma IIC T4 Ga IECEx Ex ma IIC T4 Ga Ex 0 Ex ma IIC T4 Ga X Ex maD 20 T110°C	Ex 1D Ex ma IIIC T200110°C Da IP66 IECEx Ex ma IIIC T200110°C Da IP66 Ex ma IIIC T200110°C Da X	Tamb -15°C to +50°C Tamb -15°C to +50°C OT -15 Do +50
Protection	IP66	IP66	



Note: All dimensions are given in mm and inches

Please refer to instruction manual for correct installation. Information subject to change or correction. February 2021

Detailed specification, wiring diagrams and installation/operating instructions available upon request.