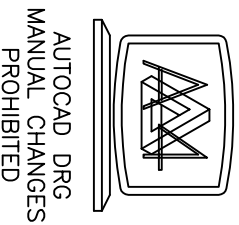
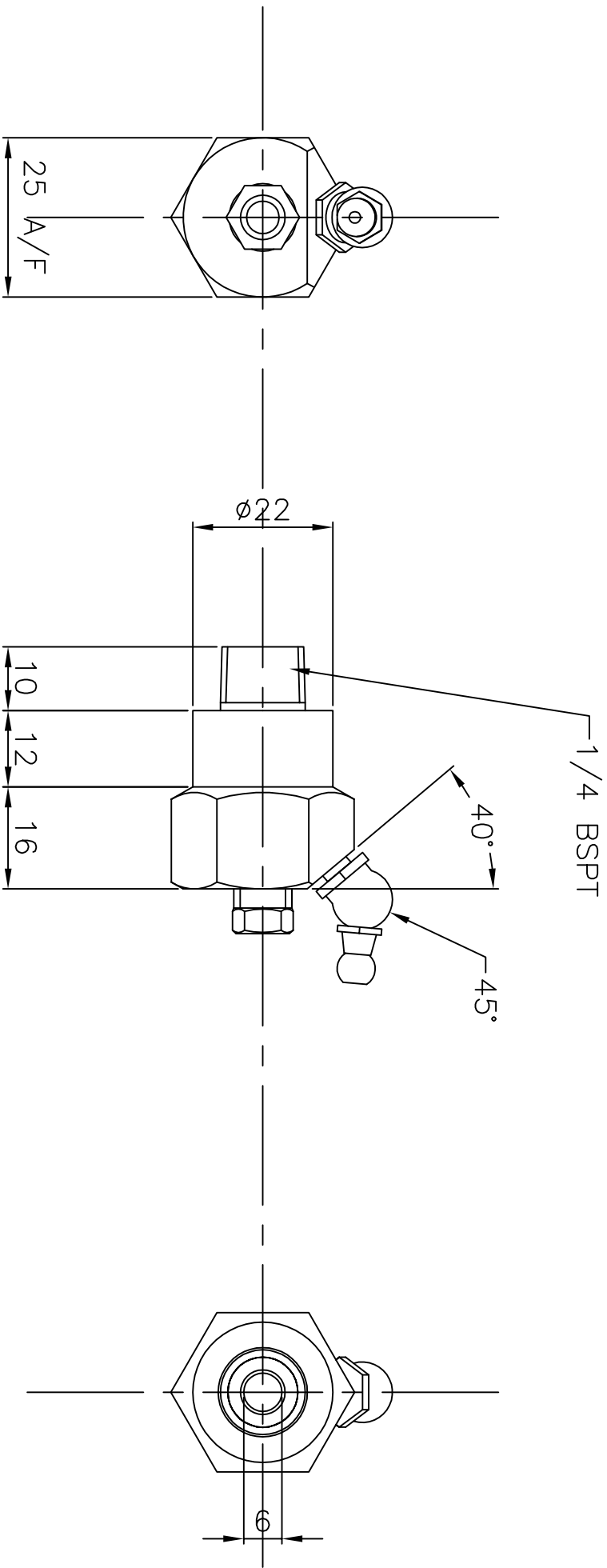


DO NOT SCALE

IF IN DOUBT - ASK



AUTOCAD DRG
MANUAL CHANGES
PROHIBITED

BRAIME
ELEVATOR COMPONENTS

HUNSLET
LEEDS 10
ENGLAND

FIRST ANGLE PROJECTION

Tel. 0113 246 1800

| | | | |
|------------|----------|----------------|-------|
| CUSTOMER | | CUSTOMER PT No | |
| N/A | | ADB8 | |
| CARD No | | | |
| DRAWN BY | A.A.N. | CHECKED BY | |
| DATE | 19/06/13 | DATE | |
| DRAWING NO | ADB8 | | SCALE |
| | | | 1:1 |
| | | | REV |
| | | | 0 |