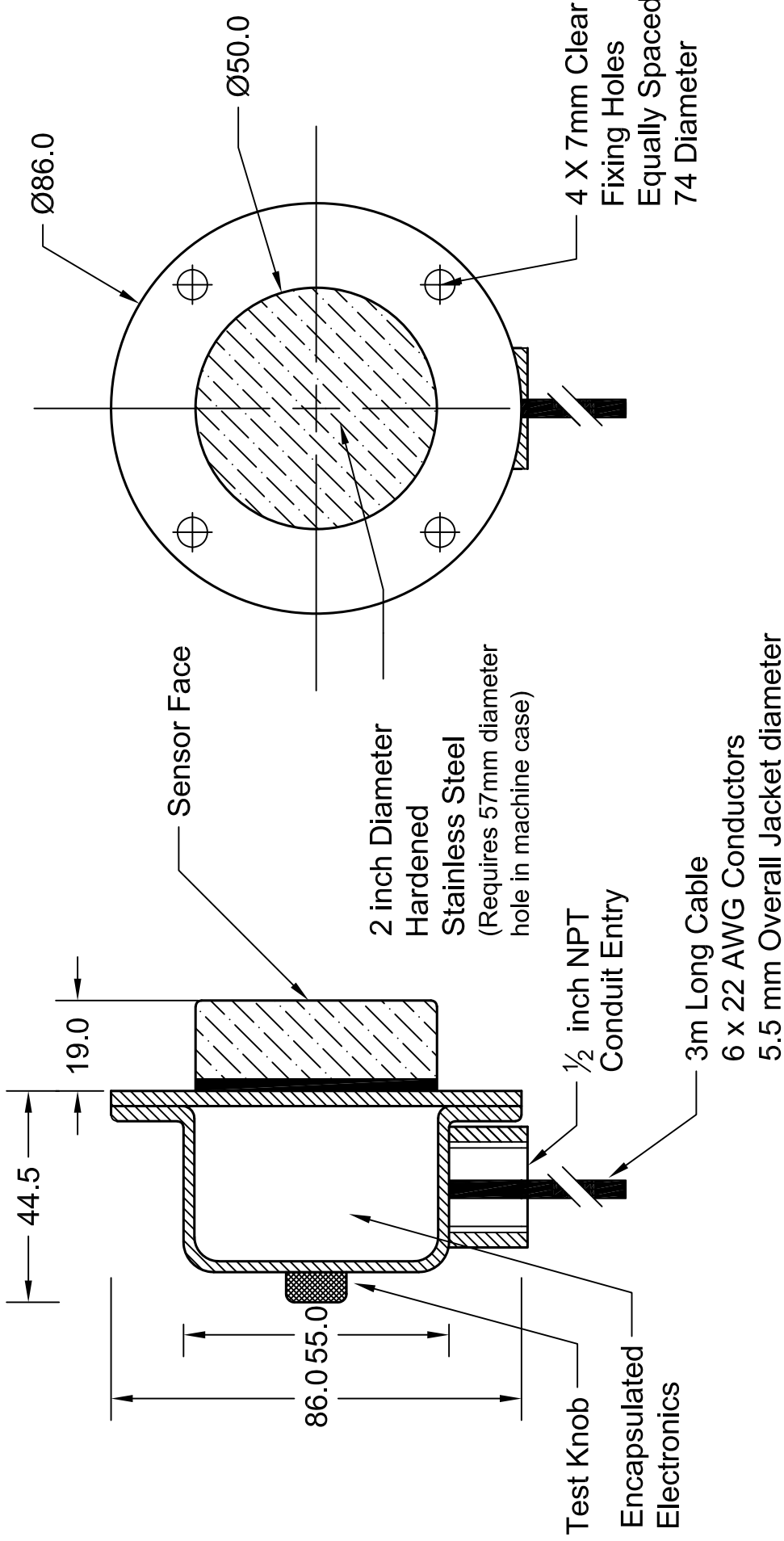
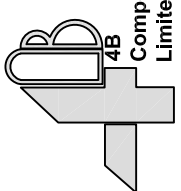


Note:
All dimensions in mm.



Customer:		N/A	
Description:		TS2V3C AND TS2V4C TOUCHSWITCH, BELT ALIGNMENT SENSORS.	
Sales Order #	Scale:	N/A	NTS
Drawn By: DAVID BYARD	Checked By: JOHNNY WHEAT	Drawing #	Rev:
Date: 05/05/2009	Date: 09/25/2009	TS2V3C & TS2V4C 0	

 4B Components Limited www.go4b.com/usa 625 Erie Avenue - Morton, IL 61550 USA Tel: 309-698-5611 Fax: 309-698-5615		Drawn	Check	Brief Description
		Date	Rev	Change Note