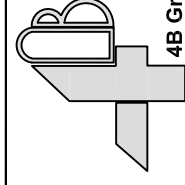
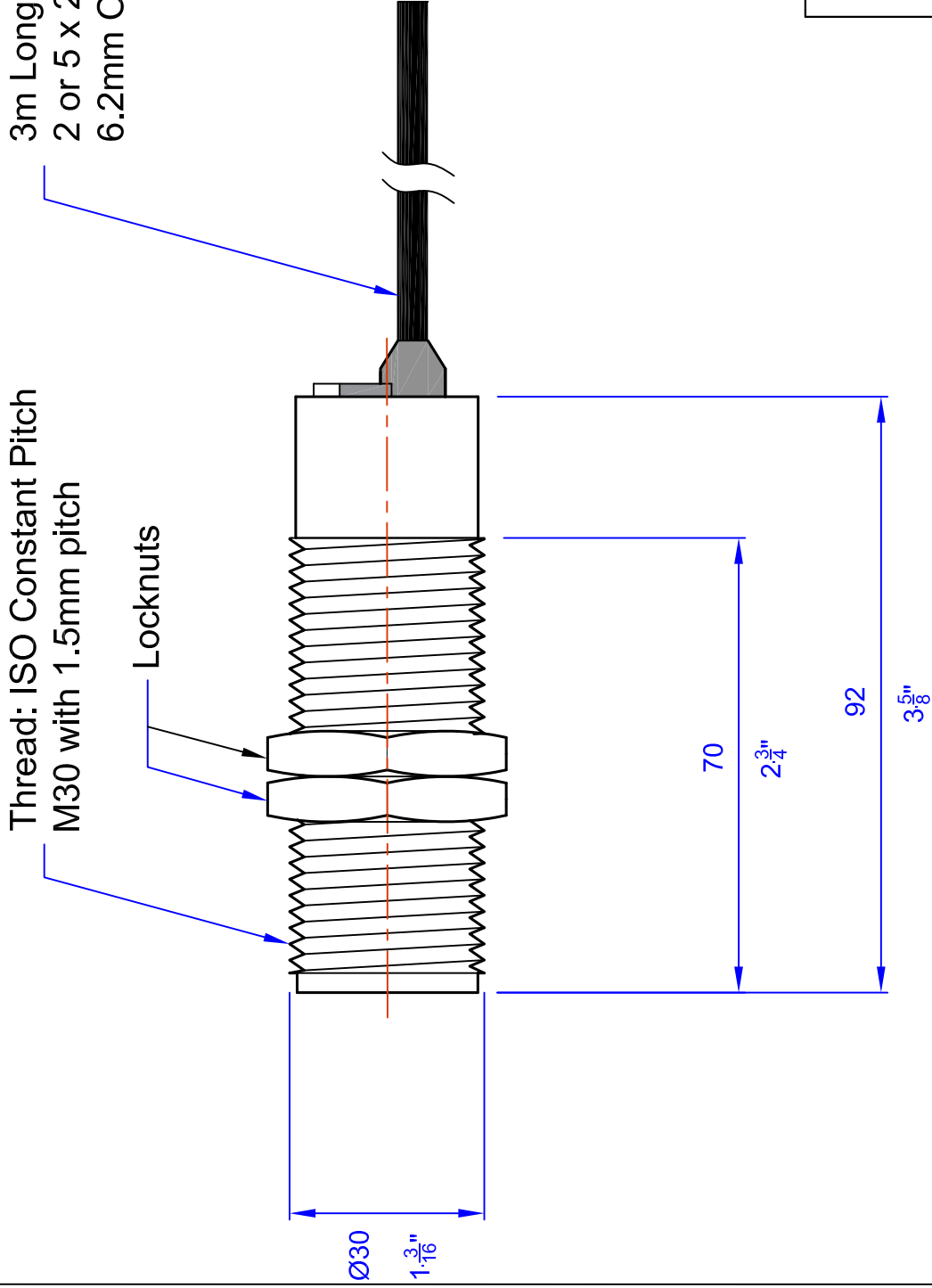


Note:
Main dimensions in mm.



www.go4b.com

4B Braime Components Ltd., Hunslet Road, Leeds, LS10 1JZ
Tel: +44 113 246 1800 Email: 4b-uk@go4b.com

Drawn By: K. Anissimov

Checked By: K. Anissimov

Drawing #

Rev:

Date: 19 July 2018

Scale:

NTS

Rev:

BSE12 and BSE15

1

Change Note	Rev	Date	Drawn	Check	Brief Description
	2	31.07.18	K.A.	K.A.	Num conductors corrected
	1	19.07.18	A. Niazi	K.A.	Initial Release

Customer:		N/A	
Description:		BSE12 and BSE15 Sensor Dimensional Drawing	
Sales Order #		N/A	
Date:		19 July 2018	