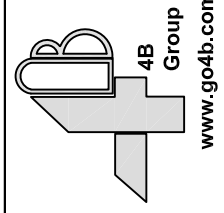
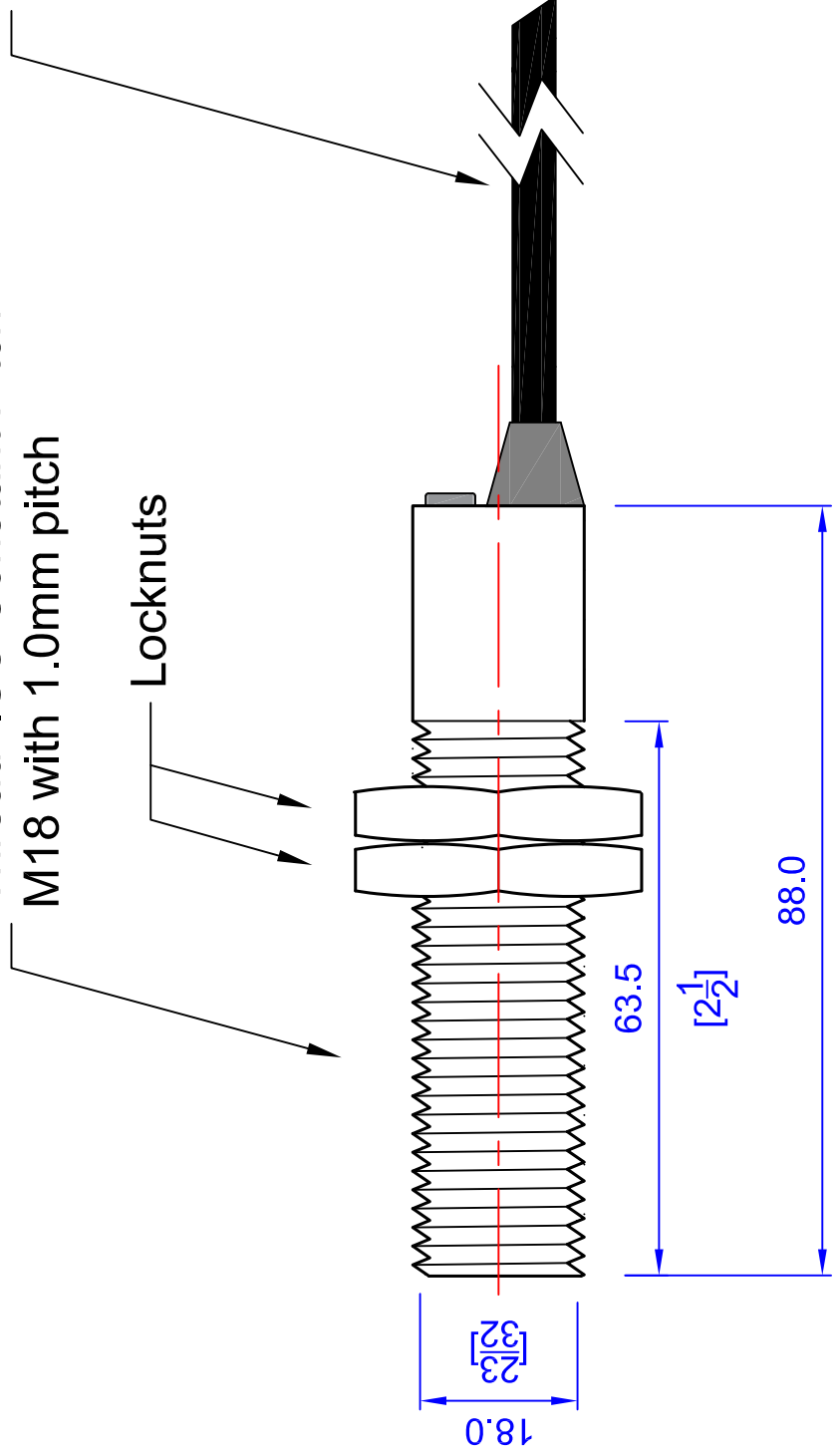
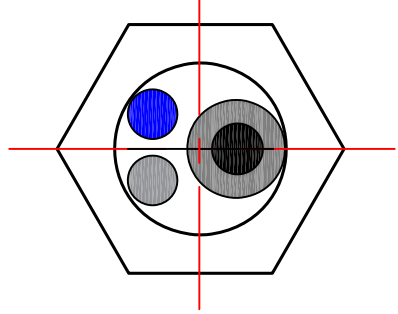


Thread: ISO Constant Pitch
M18 with 1.0mm pitch

3m Long Cable
6.2mm Overall Jacket Diameter

Locknuts



| | | | |
|------------------------|--------------------------|--|-----|
| Customer: | | N/A | |
| Description: | | P1003V10AI and P1004V10AI Sensor Dimensional Drawing | |
| Sales Order # | | Drawing # | NTS |
| | | Rev: | 0 |
| Drawn By: K. Anissimov | Checked By: K. Anissimov | Date: 19 July 2018 | |
| Date: 19 July 2018 | | | |

| Change Note | Rev | Date | Drawn | Check | Brief Description |
|-------------|-----|----------|-------|-------|-----------------------|
| | 1 | 19.07.18 | K.A. | K.A. | Initial file creation |