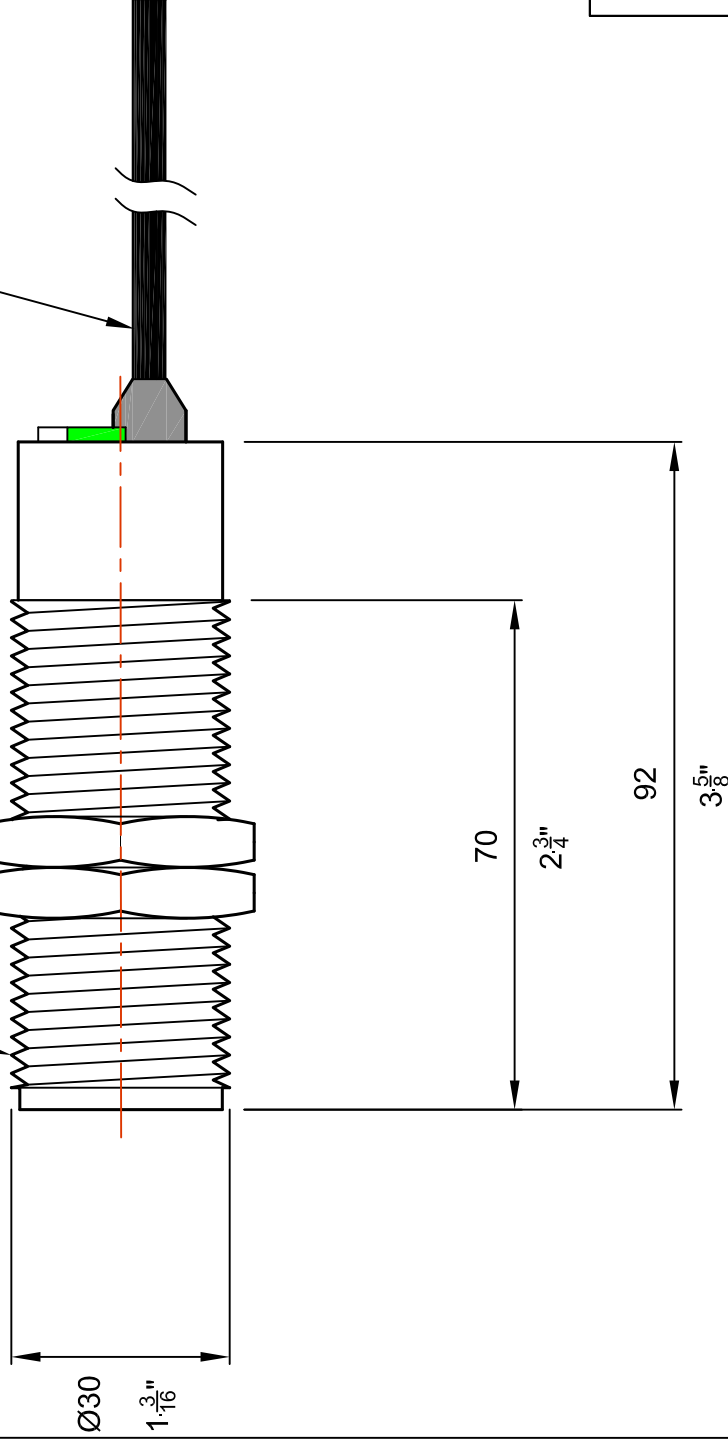
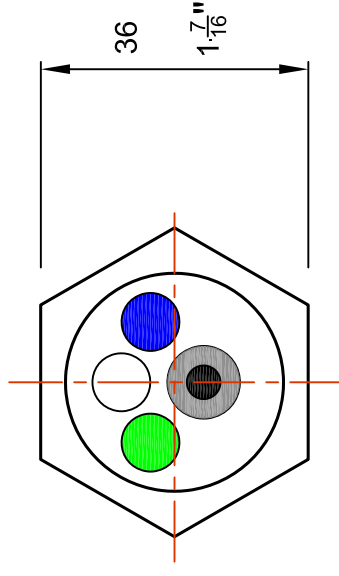


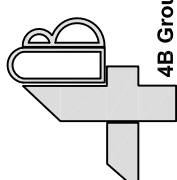
Note:
Main dimensions in mm.

3m Long Cable
4 x 20 Awg Conductors
6.2mm Overall Jacket Diameter

Thread: ISO Constant Pitch
M30 with 1.5mm pitch

Locknuts





4B Group
www.go4b.com
4B Braime Components Ltd., Hunslet Road, Leeds, LS10 1JZ
Tel: +44 113 246 1800 Email: 4b-uk@go4b.com

Customer: N/A
Description: M3003V10AI and M3007V10AI Sensor Dimensional Drawing

Sales Order #
Drawing #
Checked By: K. Anissimov
Date: 14 June 2018

Scale: N/A
Rev: NTS
M300 Sensor 0

Change Note	Rev	Date	Drawn	Check	Brief Description
2		12.06.18	A. Niazi	K.A.	Tidy up