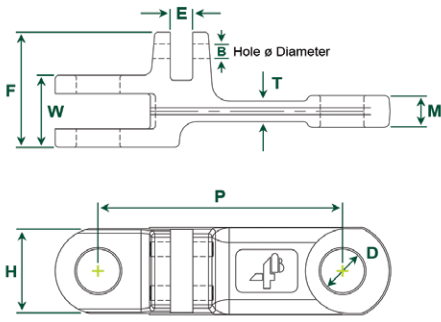
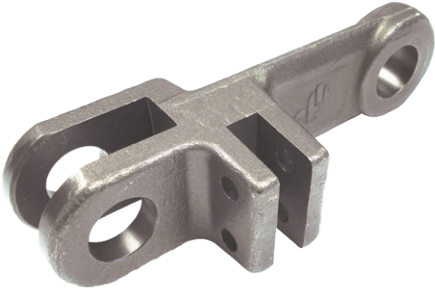


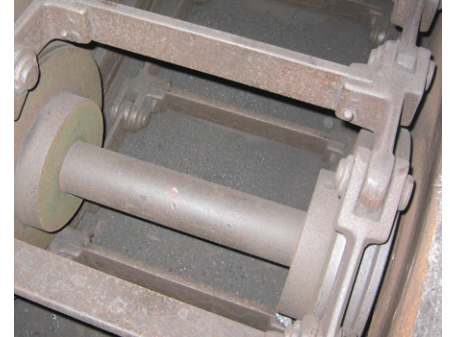
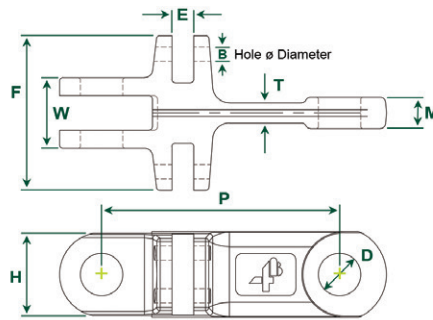
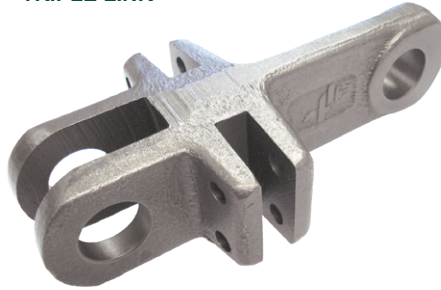
DOUBLE & TRIPLE LINKS

4B's double and triple links are forged with the same quality, strength and durability as our standard links.

DOUBLE LINK

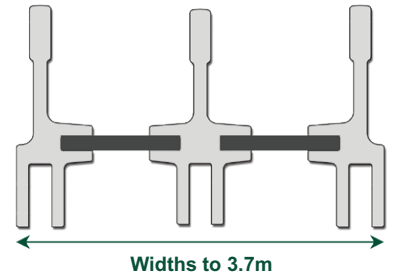


TRIPLE LINK



Typical Double Strand Chain Application

Triple Configuration



Chain Link	Min Breaking Load (kN)	Case Hardness	Case Depth (mm)	Core Hardness	Weight (Per Link) (kg)	Bolt 'N' Go Compatible	Dimensions								
							P (mm)	H (mm)	T (mm)	W (mm)	M (mm)	D (mm)	F (mm)	E (mm)	B (mm)
4B142DNA	300	Rockwell C57-C62	0.7	Rockwell C40	1.37	No	142	50	12	42	18.7	25	67	13	8.5
4B142DHA	450	Rockwell C57-C62	0.7	Rockwell C40	2.00	No	142	50	16	62	28	25	87	13	8.5
4B142TNA	300	Rockwell C57-C62	0.7	Rockwell C40	1.67	No	142	50	12	42	18.7	25	92	13	8.5
4B142THA	450	Rockwell C57-C62	0.7	Rockwell C40	2.32	No	142	49	16	62	28.5	25	112	13	8.5

Other sizes available on request.



Free Engineering Design Service - contact 4B or visit: www.go4b.com