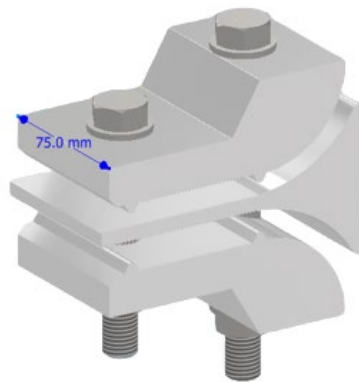
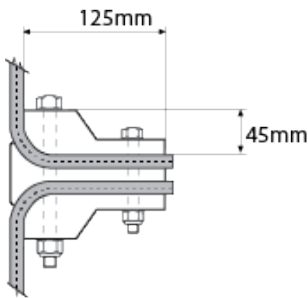
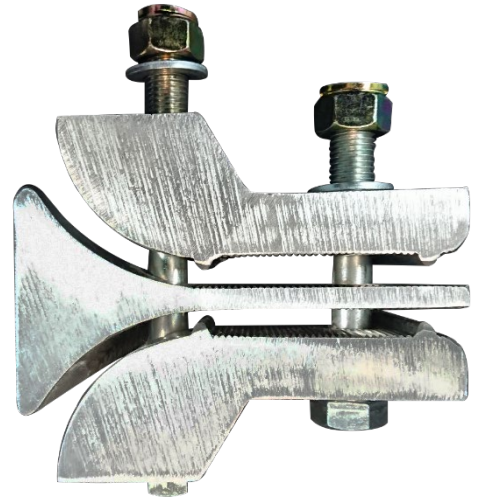


BC-1 Supergrip 75

BC-1 Supergrip 75 Heavy Duty Elevator Belt Fastener

The BC-1 Supergrip 75 heavy-duty belt splices securely fasten belting on larger bucket elevators. As the originator of this proven style of belt clamp, 4B designed it from three pieces of extruded aluminium including a centre wedge section to minimize belt wear.

The BC-1 Supergrip 75 belt splice is suitable for use on both textile and steel web elevator belting.



TECHNICAL SPECIFICATIONS

Belt Strength	1,400 kN/m
Weight	2.35 Kgs
Bolt Size	Bolt M16

