

WHIRLIGIG (ATEX APPROVED) - WG#A-BR**Installation Instructions**

Warning: Observe safety procedures at all times.

DO NOT REMOVE THE WHIRLIGIG COVER. THE ROTATING COMPONENTS UNDER THE COVER COULD CAUSE SERIOUS INJURY.

- 1/ Drill and tap the center of the shaft for M12 thread. Ensure that the shaft is tapped 18mm deep.
- 2/ Thread the WHIRLIGIG onto the machine shaft using M16 open ended wrench and suitable thread locking adhesive (Loctite or similar).
- 3/ Install the sensor to the WHIRLIGIG baseplate. Two sets of pre-drilled holes are provided for 40x40 rectangular sensors. A universal bracket (WG18/30) is supplied for fitting 18mm or 30mm sensors. Fit the sensor to leave an approximate 2mm gap between sensor face & cover.
- 4/ Connect the sensor in accordance with manufacturers' instructions and observe all relevant electrical & safety regulations.
- 5/ Fix the flexible strap securely to the static structure.

TIP: The M800 speedswitch and system function can be tested by placing a thin metal plate between the sensor and the cover of the WHIRLIGIG. When installing other industry standard sensors, leave a small gap between the sensor & the WHIRLIGIG cover for this purpose.

Approval:

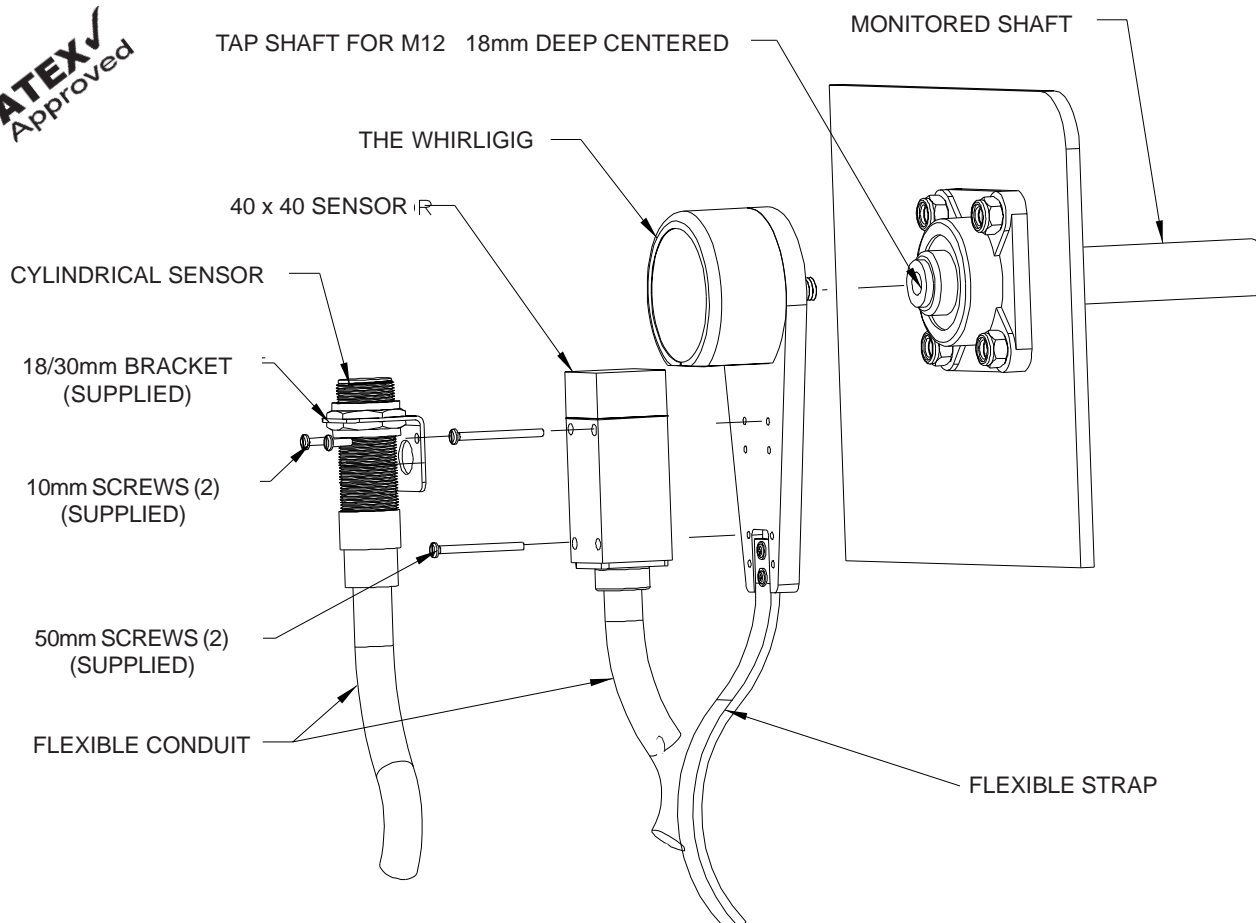
Baseefa03ATEX0676

 II1GDc T100°C

Tamb -15°C to +50°C IP40



1180

FOR COMPLETE GUARANTEE INFORMATION - CALL BRAIME

BRAIME ELEVATOR COMPONENTS LTD.

Hunslet Road, Leeds, England. LS10 1JZ
 Telephone: (0113) 245 491 Fax: (0113) 243 5021
 Web: www.braime.com
 e-mail: elevators@braime.co.uk

SERVICE TECHNICO-COMMERCIAL FRANCE

9, route de Corbie, 80800 LAMOTTE
 WARFUSEE
 Tél: (33) 03 22 42 32 26 Fax: (33) 03 22 42 37 33
 e-mail: SSETEM@aol.com