



# BRAIME ELEVATOR COMPONENTS LTD.

England. LS10 1JZ  
Telephone: (0113)2457491  
Fax: (0113)2435021  
Web: www.braille.com  
e-mail: elevators@braille.com.uk



# SETEM

9, route de Corbie  
80800 LAMOTTE WARFUSEE  
Tél : (33) 03 22 42 32 26  
Fax : (33) 03 22 42 37 33  
Email : setem@aol.com  
www.braille.com/setem



# BRAIME ELEVATOR COMPONENTS LTD.

England. LS10 1JZ  
Telephone: (0113)2457491  
Fax: (0113)2435021  
Web: www.braille.com  
e-mail: elevators@braille.com.uk

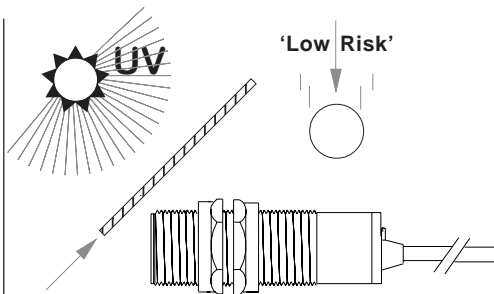
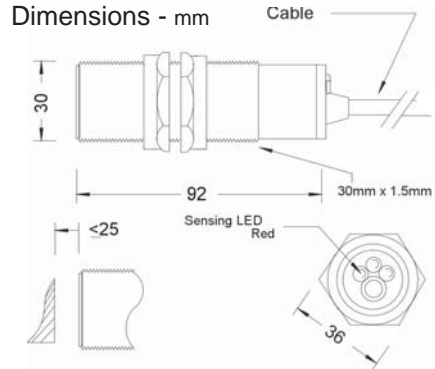


# SETEM

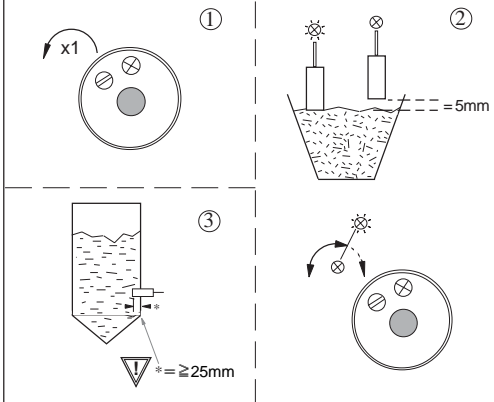
9, route de Corbie  
80800 LAMOTTE WARFUSEE  
Tél : (33) 03 22 42 32 26  
Fax : (33) 03 22 42 37 33  
Email : setem@aol.com  
www.braille.com/setem

Capacitance Sensor Type: **BS12V10AI** 884-033 5mtr  884-036 10mtr

Capacitance Sensor Type: **BS22V10AI** 884-034 5mtr  884-041 10mtr



### Installation & Calibration



Specification & Approval  
Supply V ..... 24-240V ac/dc.  
I. Min ..... 1mA.  
V. Drop ..... 5.5V.  
Output Rating ... 200mA max.

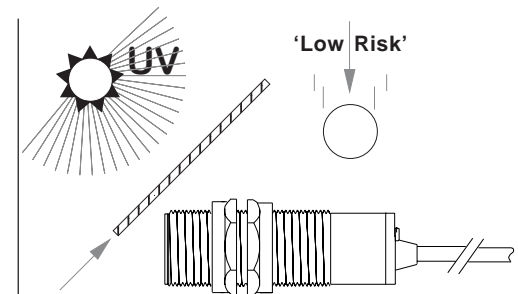
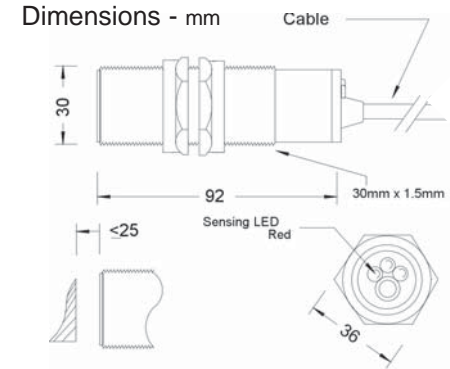
Approval No:  
**Baseefa03ATEX0674X**  
⊕ II 1D T100°C Tamb -15°C to +50°C IP65  
**IECEX BAS 04.0034X**  
TA100°C DIP DIP A20



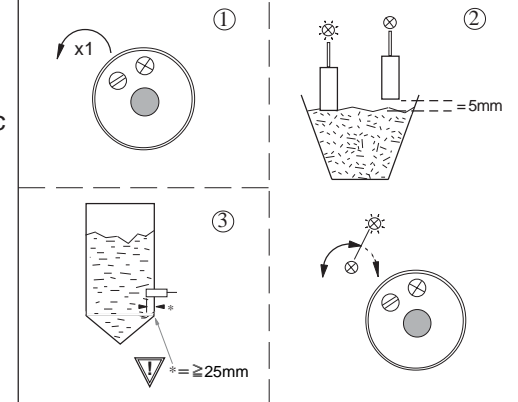
>-BS12/22AIMAN 644-079(D)

Capacitance Sensor Type: **BS12V10AI** 884-033 5mtr  884-036 10mtr

Capacitance Sensor Type: **BS22V10AI** 884-034 5mtr  884-041 10mtr



### Installation & Calibration



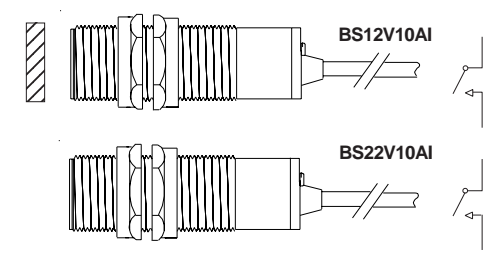
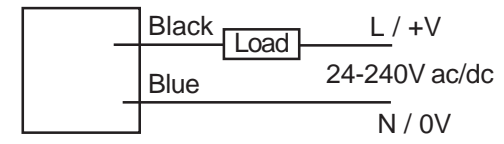
Specification & Approval  
Supply V ..... 24-240V ac/dc.  
I. Min ..... 1mA.  
V. Drop ..... 5.5V.  
Output Rating ... 200mA max.

Approval No:  
**Baseefa03ATEX0674X**  
⊕ II 1D T100°C Tamb -15°C to +50°C IP65  
**IECEX BAS 04.0034X**  
TA100°C DIP DIP A20

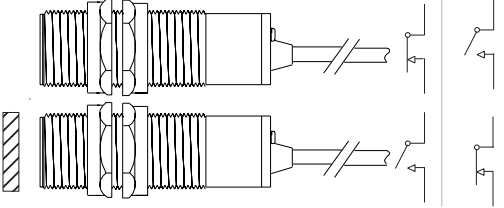


>-BS12/22AIMAN 644-079(D)

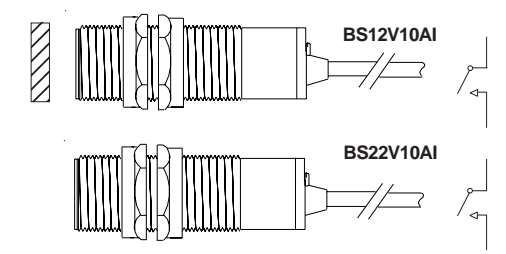
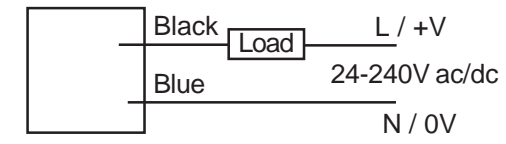
### Connections



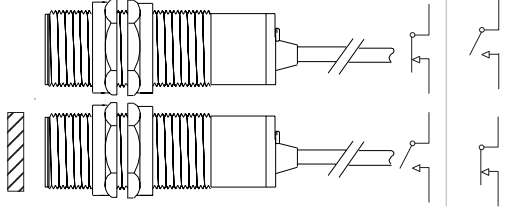
### Output Mode



### Connections



### Output Mode



**DECLARATION OF CONFORMITY****Equipment Description: 30mm Sensors - BS12V10AI & BS22V10AI**

This equipment has been manufactured to conform to the following applicable EU Directives and International Schemes, in accordance with all the required, relevant standards:-

**LOW VOLTAGE DIRECTIVE: 2006/95/EC**BS EN61010-1: 2010 Safety requirements for electrical equipment  
BS EN60332-1: 2004 Single cable flame propagation test**EMC DIRECTIVE****2004/108/EC**BS EN61000-6-3 : 2007 + A1: 2011 Emission Light Standard  
BS EN61000-6-1 : 2007 Immunity Light Industrial**ATEX DIRECTIVE****94/9/EC**CERTIFICATE No.: Baseefa03ATEX0674X  
CLASSIFICATION: Ex II 1D T100°C IP65 Tamb -15°C to 50°C  
NOTIFIED BODY: No. 1180 Baseefa  
ADDRESS: Rockhead Business Park, Staden Lane, Buxton,  
Derbyshire, SK17 9RZ  
EN50281-1-1+amd.1: 1999 Electrical apparatus protected by enclosure**RoHS DIRECTIVE:** No required or relevant standards**INTERNATIONAL SCHEME: IECEX**CERTIFICATE No.: BAS 04.0034X  
CLASSIFICATION: DIP A20 T100°C Tamb -15°C to 50°C  
NOTIFIED BODY: No. 1180 Baseefa  
ADDRESS: Rockhead Business Park, Staden Lane, Buxton,  
Derbyshire, SK17 9RZ

Each unit has a traceable number and has been designed, manufactured and tested in accordance with the following:-

1. The above equipment and components have been built and assembled in accordance with your order specification and perform to your order requirement.
2. A functional test has been conducted on each unit.
3. A physical inspection has been conducted on each unit.
4. Design, manufacture and test have been carried out in accordance with our quality procedure. Drawings, software, material lists and data sheets are retained at our Company address (shown on this manual).

**Special Conditions for Safe Use**

1. These sensors are not suitable for mounting where they will be exposed to direct sunlight unless fitted with an auxiliary metal shield completely protecting the plastic enclosure from UV exposure.
2. When the sensor is moulded in opaque polycarbonate or opaque polyamide it is only suitable for use in areas with a low risk of impact. When the sensor is moulded in clear polycarbonate it is suitable for use in areas with a normal risk of impact.

SIGNED:

DATE: 14<sup>th</sup> February 2011

NAME: R. ASHBY

POSITION: Chief Engineer

Synatel Instrumentation Ltd. Cannock, Staffs. WS11 9TB UK

**DECLARATION OF CONFORMITY****Equipment Description: 30mm Sensors - BS12V10AI & BS22V10AI**

This equipment has been manufactured to conform to the following applicable EU Directives and International Schemes, in accordance with all the required, relevant standards:-

**LOW VOLTAGE DIRECTIVE: 2006/95/EC**BS EN61010-1: 2010 Safety requirements for electrical equipment  
BS EN60332-1: 2004 Single cable flame propagation test**EMC DIRECTIVE****2004/108/EC**BS EN61000-6-3 : 2007 + A1: 2011 Emission Light Standard  
BS EN61000-6-1 : 2007 Immunity Light Industrial**ATEX DIRECTIVE****94/9/EC**CERTIFICATE No.: Baseefa03ATEX0674X  
CLASSIFICATION: Ex II 1D T100°C IP65 Tamb -15°C to 50°C  
NOTIFIED BODY: No. 1180 Baseefa  
ADDRESS: Rockhead Business Park, Staden Lane, Buxton,  
Derbyshire, SK17 9RZ  
EN50281-1-1+amd.1: 1999 Electrical apparatus protected by enclosure**RoHS DIRECTIVE:** No required or relevant standards**INTERNATIONAL SCHEME: IECEX**CERTIFICATE No.: BAS 04.0034X  
CLASSIFICATION: DIP A20 T100°C Tamb -15°C to 50°C  
NOTIFIED BODY: No. 1180 Baseefa  
ADDRESS: Rockhead Business Park, Staden Lane, Buxton,  
Derbyshire, SK17 9RZ

Each unit has a traceable number and has been designed, manufactured and tested in accordance with the following:-

1. The above equipment and components have been built and assembled in accordance with your order specification and perform to your order requirement.
2. A functional test has been conducted on each unit.
3. A physical inspection has been conducted on each unit.
4. Design, manufacture and test have been carried out in accordance with our quality procedure. Drawings, software, material lists and data sheets are retained at our Company address (shown on this manual).

**Special Conditions for Safe Use**

1. These sensors are not suitable for mounting where they will be exposed to direct sunlight unless fitted with an auxiliary metal shield completely protecting the plastic enclosure from UV exposure.
2. When the sensor is moulded in opaque polycarbonate or opaque polyamide it is only suitable for use in areas with a low risk of impact. When the sensor is moulded in clear polycarbonate it is suitable for use in areas with a normal risk of impact.

SIGNED:

DATE: 14<sup>th</sup> February 2011

NAME: R. ASHBY

POSITION: Chief Engineer

Synatel Instrumentation Ltd. Cannock, Staffs. WS11 9TB UK