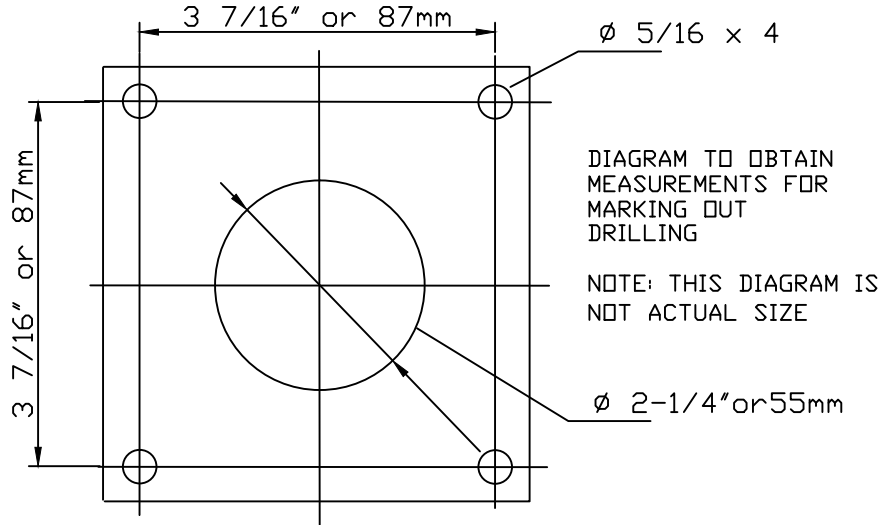
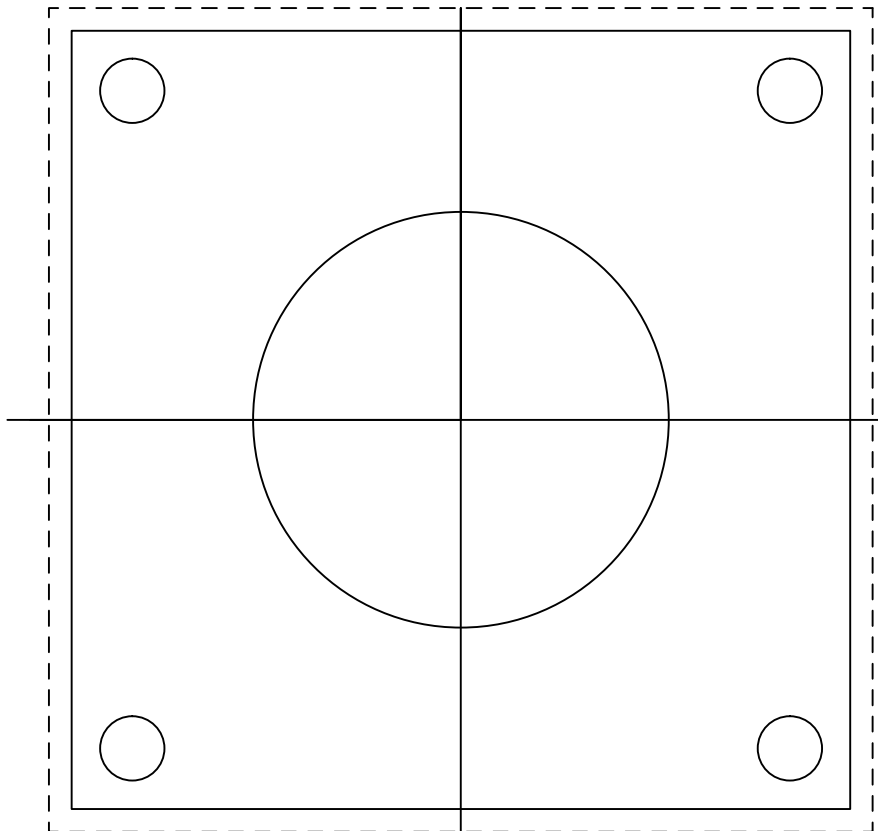


# WDA3 MOUNT TEMPLATE



REV 07.11.13

TEMPLATE CUT-OUT HERE



TEMPLATE CUT-OUT HERE

Use either the supplied sensor mount or cut out this paper template to properly mark and drill all mounting holes. The paper template is scaled to actual size. When printing this PDF file, be sure the printer setting for PAGE SCALING is set to NONE. Otherwise, the template will not print to the correct size and all of the dimensions will be incorrect.